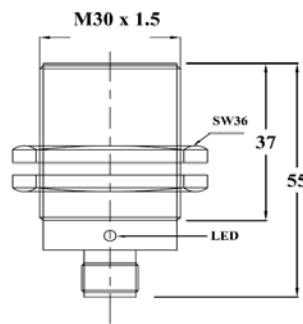
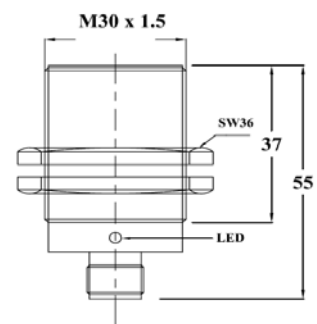




Dimensions



Dimensions



Technical Data

Model	IPS-A38-212L IPS-A38-212N	IPS-A38-222L IPS-A38-222N
General specifications		
Switching Output	PNP, N/O PNP, N/C	NPN, N/O NPN, N/C
Rated Operating Distance S_n	10mm ± 10%	10mm ± 10%
Installation	Flush	Flush
Nominal Ratings		
Supply Voltage U_e	10-30 Vdc	10-30 Vdc
Frequency of Operating cycle f	300 Hz	300 Hz
Hysteresis/Differential travel H	±10%	±10%
Rated operating current I_e	200 mA	200 mA
No-load supply current I_o	< 25 mA	< 25 mA
Voltage drop U_d	< 2.2Vdc	< 2.2Vdc
OFF state current I_r	< 0.1mA	< 0.1mA
Rated insulation voltage U_i	75 Vdc	75 Vdc
Utilization category	DC-13	DC-13
Repeatability/ Repeat accuracy R	0.3 mm	0.3 mm
Protection Circuit	Short circuit & Polarity reversal	Short circuit & Polarity reversal
Function Indication	LED	LED
Ambient Conditions		
Operating temperature	-25° C to +70° C	-25° C to +70° C
Mechanical Specifications		
Connection Type	4 pin Connection M12	4 pin Connection M12
Housing material	CuZn-Nickel Plated	CuZn-Nickel Plated
Sensing face	Plastic ABS-Grey Color	Plastic ABS-Green Color
Degree of protection	IP67	IP67
Compliance with Standards and Directives		
Standards Conformity	EN 60947- 5-2	EN 60947- 5-2
Approval	CE	CE